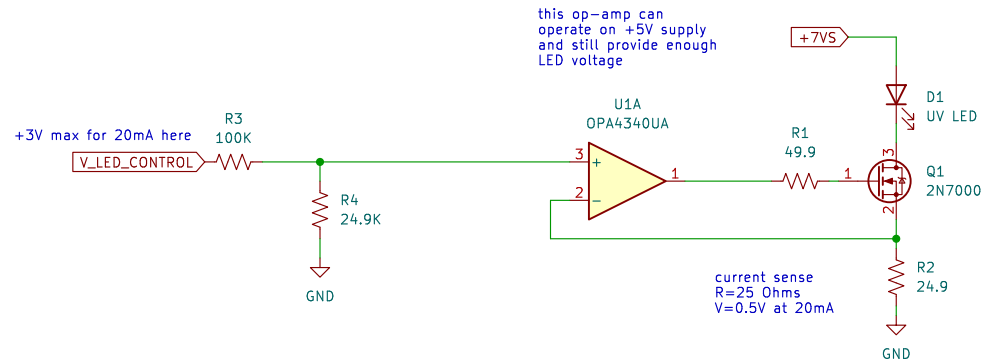
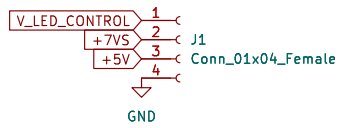
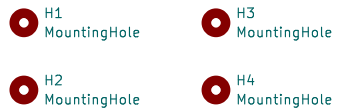
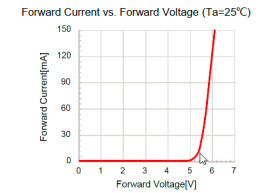


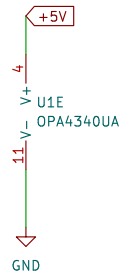
external connector (through-hole)



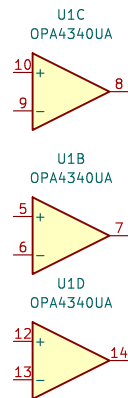
UV LED requires 5Vf or more



op-amp power



unused op-amps on board tie them to ground or ectct?



Sheet: /
File: UV-LED-source.kicad_sch

Title:

Size: A4
KiCad E.D.A. 8.0.0

Date:

Rev:

Id: 1/1